



## OPTIONS

---

### Mounting method

- to be grouted in

### Ears for chain attachment

- no
- attachment of 1 chain (both sides)
- attachment of 1 chain (end)
- attachment of 2 chains (both sides)
- attachment of 2 chains (final)

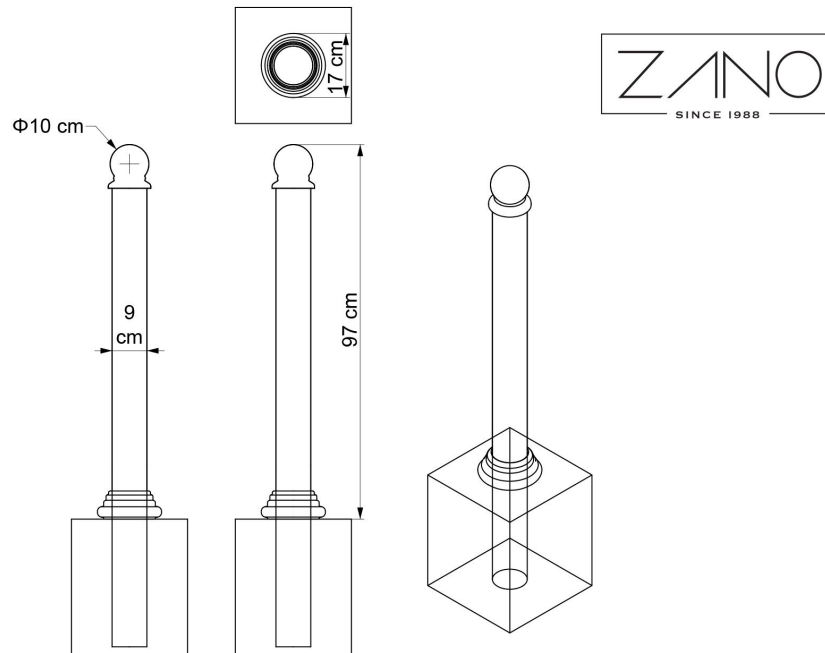
### Fence mounts

- one-sided
- double-sided
- no

## DESCRIPTION

---

The classic design of this post allows it to seamlessly integrate into any setting. It looks great both in historic areas and contemporary developments. The model featured is crafted from black steel, accented with cast iron elements. The installation involves embedding the post in concrete, which secures it firmly against upheaval and vandalism. The Bene 01.059 posts are ideal for safeguarding roads, sidewalks, or pathways. Available in three styles: without chain holders, with two chain holders, and with four chain holders. Upon request, they can be painted in any shade from our RAL color selection.



## GENERAL TECHNICAL DATA

### Dimensions

- height from ground surface: 38 1/4 in
- diameter: 3 1/2 in
- mounting orifice diameter: 6 3/4 in

### Materials

- cast iron
- steel tube: 90 mm

### Weight

- 55 lb

ZANO



Product: Bene post  
 Catalog number: **01.059**  
 Designer: Tomasz Szpytma

In accordance with the Polish Law on Copyright and Related Rights of 04.02.1994 (Official Journal of Laws No. 24, item 83, corrected: Journal of Laws No. 43, item 170) and in accordance with the EU copyright legislation including all EU directives and regulations on copyright, Zano Mirosław Zarotynski Company, reserves the copyright of drawings, descriptions, 3D models, renderings, graphics, content contained in offers, attachments to offers and all other documents. Its content is the intellectual property of ZANO Mirosław Zarotynski company. The use of author's ideas, solutions, copying, distribution of photos, graphics or fragments of graphics, descriptive texts, for profit, without the permission of the author - ZANO Mirosław Zarotynski company - is prohibited and constitutes a copyright infringement and is punishable.

**NOTE: The drawings do not reflect the actual dimensions of the foundation. These are only sample installation diagrams taking into account the type of anchoring and the material of the substrate to which to attach the furniture.**

The size of the foundation depends on local foundation conditions.



### INSTALLATION TO PAVING WITH FOUNDATION

#### Installation description

1. ZANO product
2. Stone paving / concrete paving / stone slabs / concrete slabs
3. Sand ballast (approximately 2 - 4 cm)
4. Concrete foundation of C16/20 class (top surface of concrete 10 cm below paving surface)
5. Local land



### MOUNTING TO CONCRETE FOUNDATION

#### Installation description

1. ZANO product
2. Concrete foundation of C16/20 class (top surface of concrete 10 cm below paving surface)
3. Local land



### MOUNTING TO CONCRETE FOUNDATION

#### Installation description

1. ZANO product
2. Fixed restrained surface, such as concrete or asphalt
3. Concrete foundation of C16/20 class (top surface of concrete 10 cm below paving surface)
4. Stone aggregate substructure
5. Sand ballast (approximately 2 - 4 cm)
6. Local land