



OPTIONS

Housing

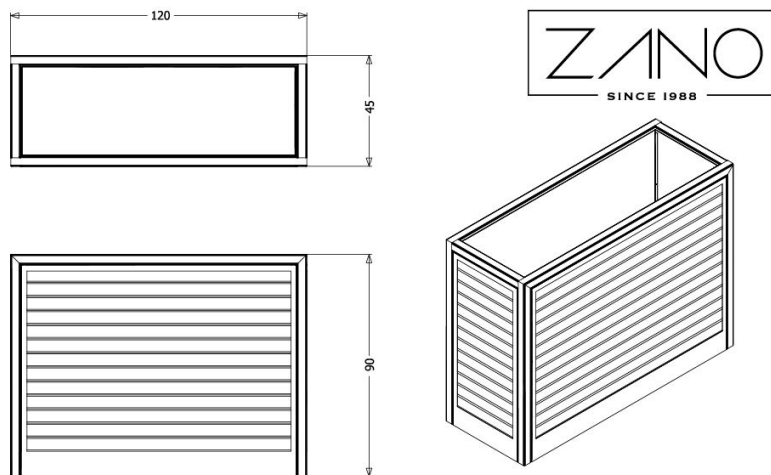
- European coniferous wood
- hardwood of European origin
- oiled exotic wood
- premium exotic wood
- HPL board

Mounting method

- free-standing
- to screw

DESCRIPTION

The Salver collection features four differently sized planters designed to meet public needs. Salver offers straightforward yet versatile planters that seamlessly blend into any setting, including pre-existing ones. Each planter can be either free-standing or secured to the ground using anchors. Built for durability and stability, these planters have a steel framework complemented by wooden planking. The planks are optimally sized to enhance the structure's overall lightness. The plank color and wood type can be customized, presenting numerous options. Salver's smooth, professional finish and minimalist design are sure to impress. You have the freedom to configure the layout and quantity of planters to perfectly match your preferences with Salver.



wartości podane są w centymetrach

GENERAL TECHNICAL DATA

Dimensions

- width: 47 1/4 in
- height: 35 1/2 in
- depth: 17 3/4 in

Materials

- wood
- steel profile
- sheet
- aluzinc sheet

Weight

- 128 lb

ZANO



Filip Babiarz

Product: Salver flower pot
Catalog number: **06.038.XL**
Designer: Filip Babiarz

In accordance with the Polish Law on Copyright and Related Rights of 04.02.1994 (Official Journal of Laws No. 24, item 83, corrected: Journal of Laws No. 43, item 170) and in accordance with the EU copyright legislation including all EU directives and regulations on copyright, Zano Mirosław Zarotynski Company, reserves the copyright of drawings, descriptions, 3D models, renderings, graphics, content contained in offers, attachments to offers and all other documents. Its content is the intellectual property of ZANO Mirosław Zarotynski company. The use of author's ideas, solutions, copying, distribution of photos, graphics or fragments of graphics, descriptive texts, for profit, without the permission of the author - ZANO Mirosław Zarotynski company - is prohibited and constitutes a copyright infringement and is punishable.

NOTE: The drawings do not reflect the actual dimensions of the foundation. These are only sample installation diagrams taking into account the type of anchoring and the material of the substrate to which to attach the furniture.

The size of the foundation depends on local foundation conditions.



INSTALLATION TO PAVING WITH FOUNDATION

Installation description

1. ZANO product
2. Quick-attachment / quick-attachment or chemical anchor
3. Stone paving / concrete paving / stone slabs / concrete slabs
4. Sand ballast (approximately 2 - 4 cm)
5. Stone aggregate substructure
6. Concrete foundation of C16/20 class (top surface of concrete 10 cm below paving surface)
7. Local land



MOUNTING TO PAVING

Installation description

1. ZANO product
2. Quick-attachment / quick-attachment or chemical anchor
3. Stone paving / concrete paving / stone slabs / concrete slabs
4. Sand ballast (approximately 2 - 4 cm)
5. Stone aggregate substructure
6. Local land



MOUNTING TO CONCRETE / ASPHALT

Installation description

1. ZANO product
2. Quick-attachment / quick-attachment or chemical anchor
3. Fixed restrained surface, such as concrete or asphalt
4. Concrete foundation of C16/20 class (top surface of concrete 10 cm below paving surface)
5. Stone aggregate substructure
6. Sand ballast (approximately 2 - 4 cm)
7. Local land



MOUNTING TO CONCRETE FOUNDATION

Installation description

1. ZANO product
2. Quick-attachment / quick-attachment or chemical anchor
3. Concrete foundation of C16/20 class (top surface of concrete 10 cm below paving surface)
4. Local land