

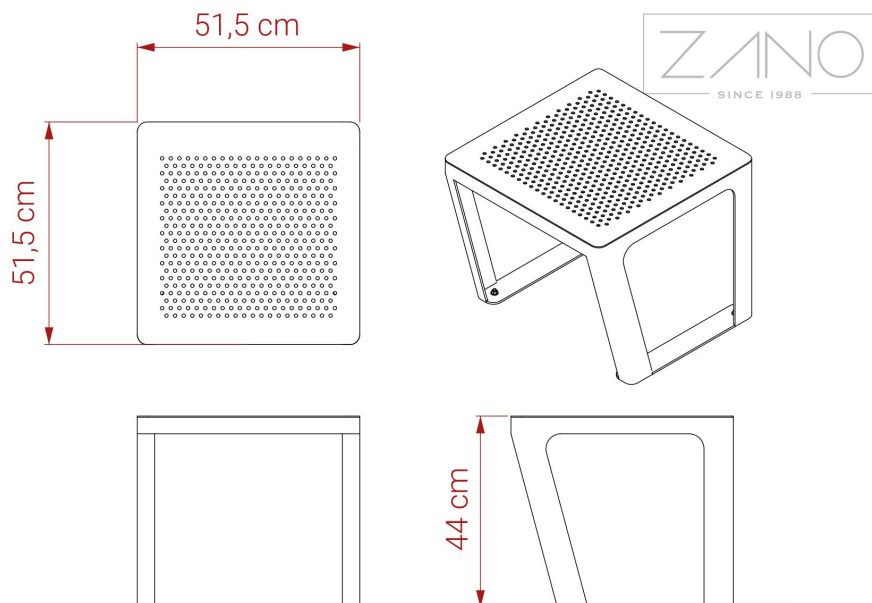
OPTIONS

DESCRIPTION

The Scandik seat is crafted entirely from steel. It features a perforated top and is available in either stainless steel or carbon steel, which can be galvanized and powder-coated in any RAL color.

This model is the backless variant of the Scandik chair 02.646.P and matches perfectly with other pieces from the Scandik collection, including flower pots, benches, loungers, and armchairs.





GENERAL TECHNICAL DATA

Dimensions

- width: 20 1/4 in
- height: 17 1/4 in
- depth: 20 1/4 in

Materials

- construction - stainless steel or carbon steel, galvanized and powder coated

Weight

- 42 lb

ZANO



Iwona Żaczek

Product: Scandik seat
 Catalog number: 02.146.P
 Designer: Iwona Żaczek

In accordance with the Polish Law on Copyright and Related Rights of 04.02.1994 (Official Journal of Laws No. 24, item 83, corrected: Journal of Laws No. 43, item 170) and in accordance with the EU copyright legislation including all EU directives and regulations on copyright, Zano Mirosław Zarotynski Company, reserves the copyright of drawings, descriptions, 3D models, renderings, graphics, content contained in offers, attachments to offers and all other documents. Its content is the intellectual property of ZANO Mirosław Zarotynski company. The use of author's ideas, solutions, copying, distribution of photos, graphics or fragments of graphics, descriptive texts, for profit, without the permission of the author - ZANO Mirosław Zarotynski company - is prohibited and constitutes a copyright infringement and is punishable.