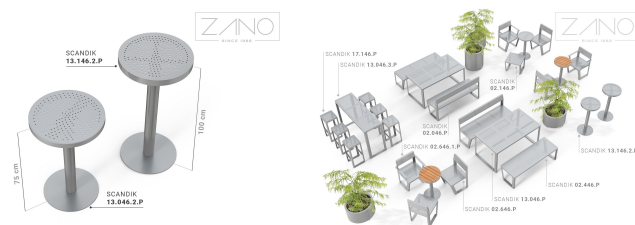
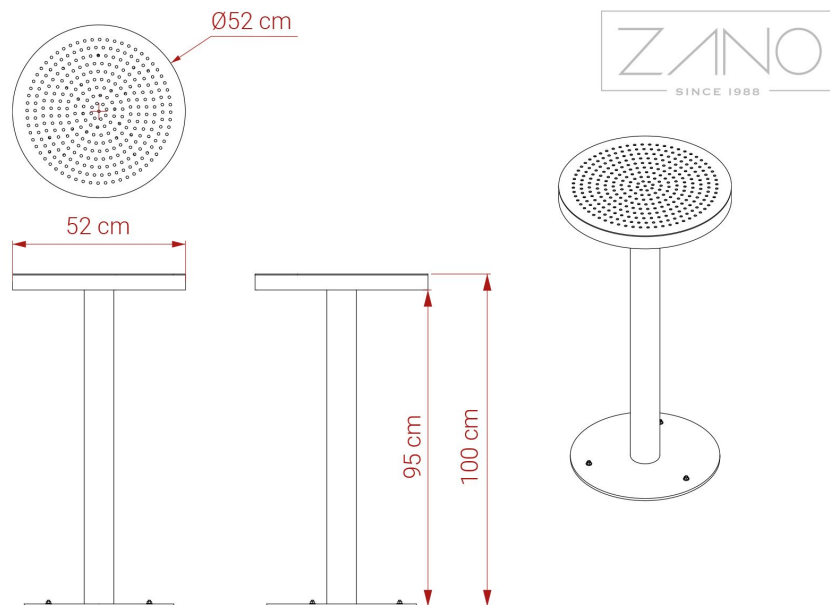


OPTIONS

DESCRIPTION

Tall round table constructed from steel. The tabletop features perforated steel design. The frame is built using stainless steel or, if preferred, carbon steel that is galvanized and powder-coated in the chosen RAL color. The table is ideal for bars, restaurants, and cafes. Choose from stainless steel or galvanized carbon steel for guaranteed durability and resistance to the elements.





GENERAL TECHNICAL DATA

Dimensions

- width: 20 1/2 in
- height: 39 1/4 in
- depth: 20 1/2 in

Materials

- construction - stainless steel or carbon steel, galvanized and powder coated

Weight

- 66 lb

ZANO



Iwona Żaczek

Product: Scandik table
 Catalog number:
13.146.2.P
 Designer: Iwona Żaczek

In accordance with the Polish Law on Copyright and Related Rights of 04.02.1994 (Official Journal of Laws No. 24, item 83, corrected: Journal of Laws No. 43, item 170) and in accordance with the EU copyright legislation including all EU directives and regulations on copyright, Zano Mirosław Zarotynski Company, reserves the copyright of drawings, descriptions, 3D models, renderings, graphics, content contained in offers, attachments to offers and all other documents. Its content is the intellectual property of ZANO Mirosław Zarotynski company. The use of author's ideas, solutions, copying, distribution of photos, graphics or fragments of graphics, descriptive texts, for profit, without the permission of the author - ZANO Mirosław Zarotynski company - is prohibited and constitutes a copyright infringement and is punishable.